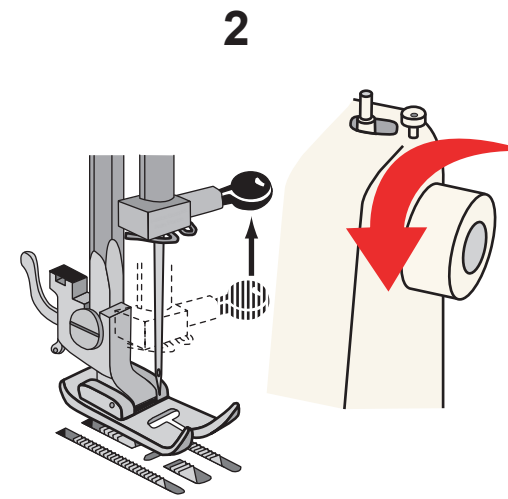
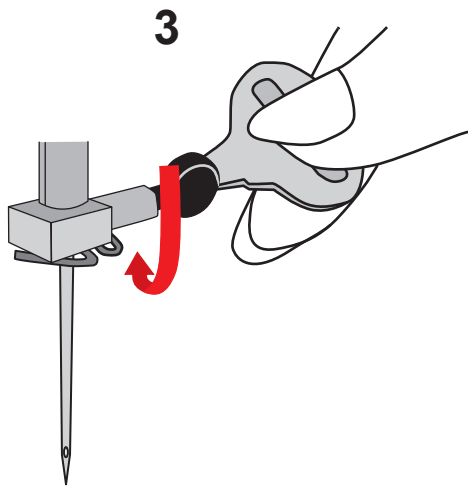


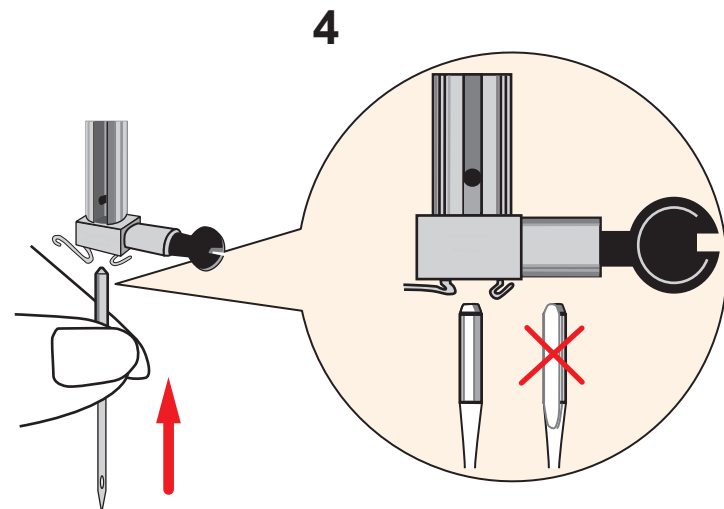
For your safety switch off power to the machine.



Raise the needle to the highest position by turning the handwheel towards you.



Loosen needle clamp screw with fingers or needle plate screw driver.



With the flat side away from you, insert a new needle and push it into clamp until it reaches stopper. Tighten needle clamp screw firmly.